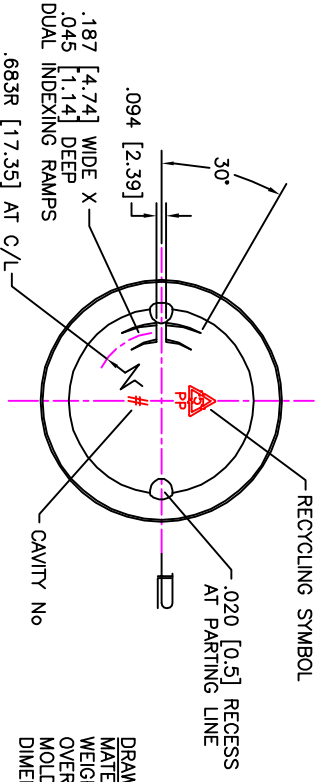
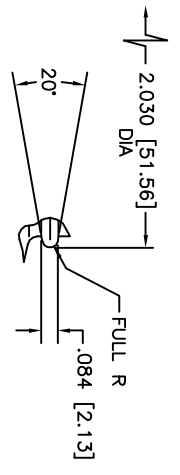
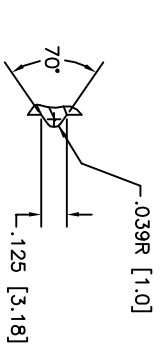
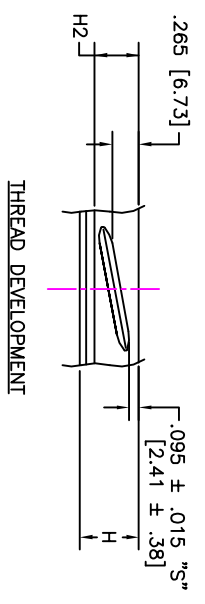
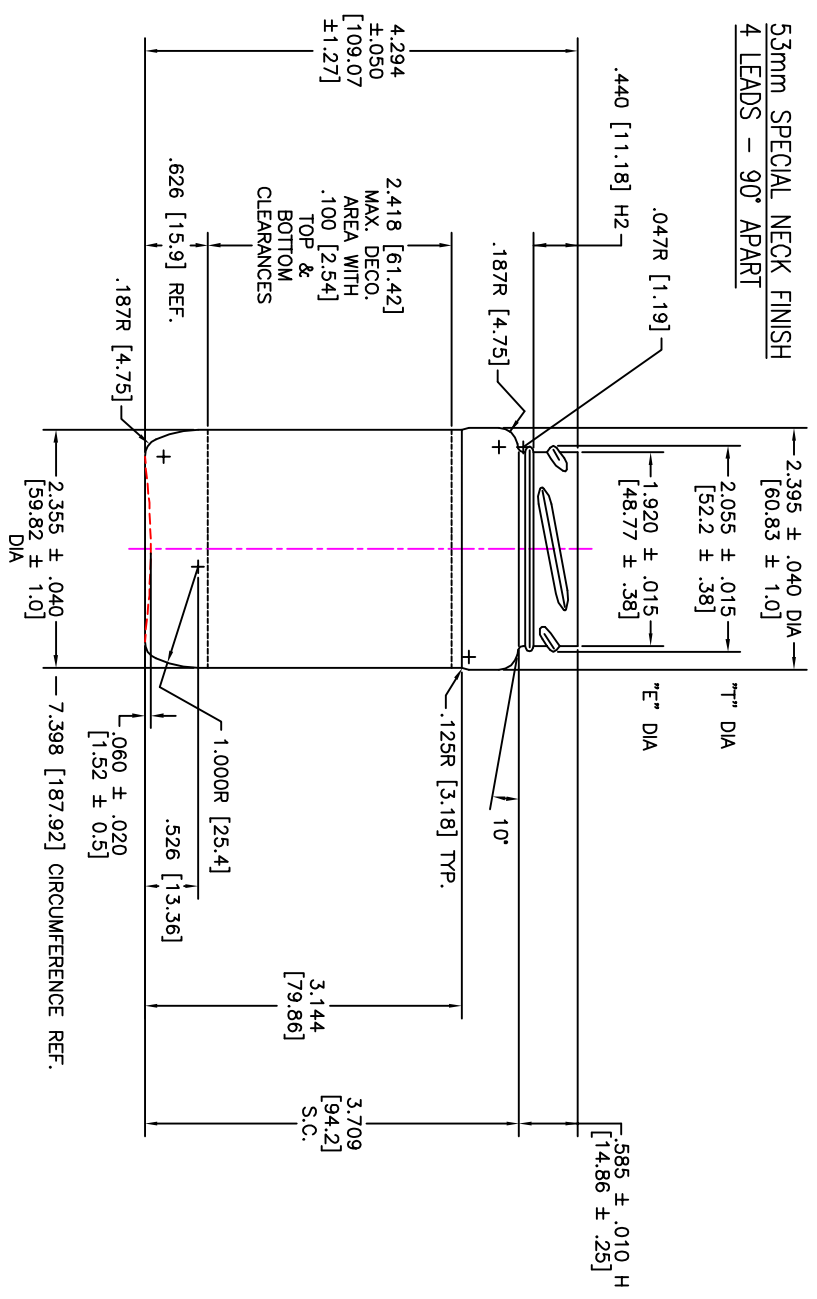


53mm SPECIAL NECK FINISH
4 LEADS - 90° APART



DRAWING SPECIFICATIONS
MATERIAL: POLYPROPYLENE
WEIGHT: 23.0 ± 1.5 GRAMS
OVERFLOW CAPACITY: 260.0 ± 7.0 ml
MOLD: EXTRUSION BLOW MOLDING
DIMENSIONS: INCHES [MILLIMETERS]

SUBJECT TO PROTOTYPE & FIRST PRODUCTION EVALUATION.

250ml JAR (POLYPROPYLENE)			
FORM	DATE	REV	BY
01	2012-11-15	1	AS ABOVE
DATE	SCALE	TOLERANCE	REVISION
2012-11-15	FULL	± .015	AS ABOVE
CODE	MULTIPLIER	UNIT	AS ABOVE
MICRON35-250MLJAR			